

This Exam measures ILOS No.:(a1 -1,a3-1,a13-2,a19-1,b3-1, b5-1, c1-1,c3-1,c113-1).

1- Draw with suitable scale the following meshing Gears shown in Fig.(1) , $[D1=100, D2=40]$. And The two views [Sectional Front View + Top View] of the Cotter foundation bolt, Fig.(2), (SUPPOSE ANY MISSING DIMENSIONS).
 1-Assemble all parts of Milling Machine Tail-stock, shown in Fig. (3); and draw the following views: (i) Sectional view from the front, and (ii) View from above.

Fig.(1) (25 Mark)

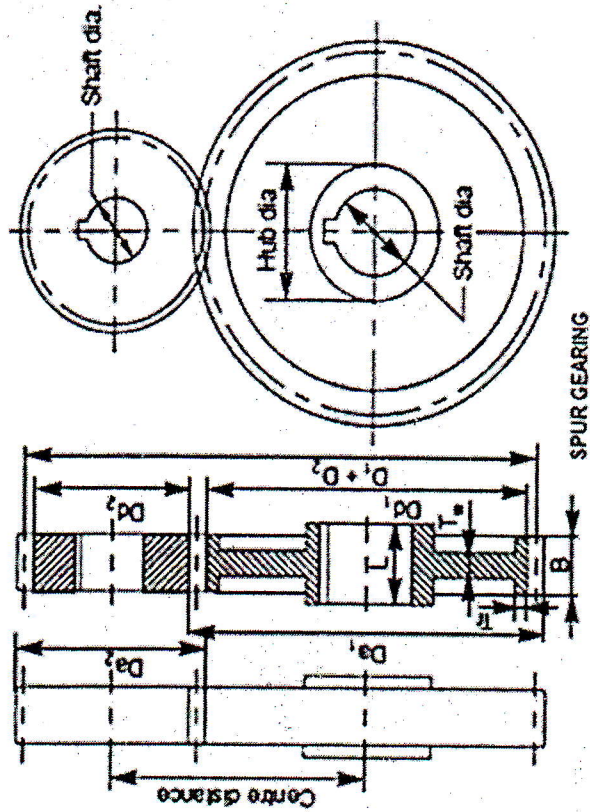
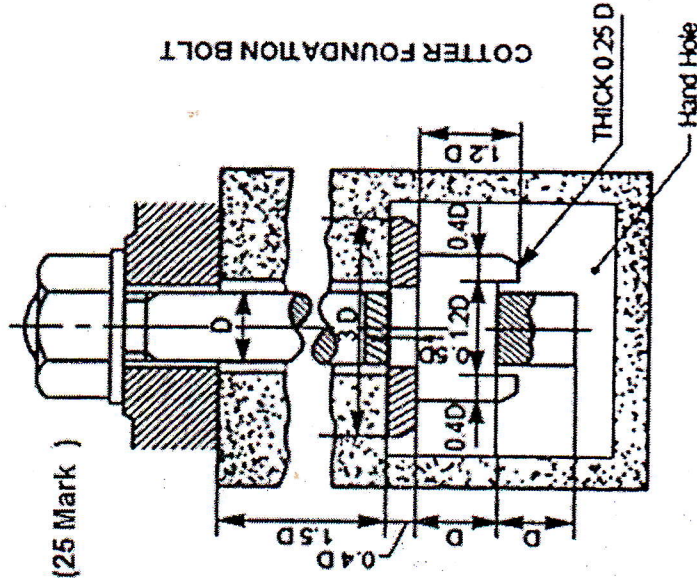
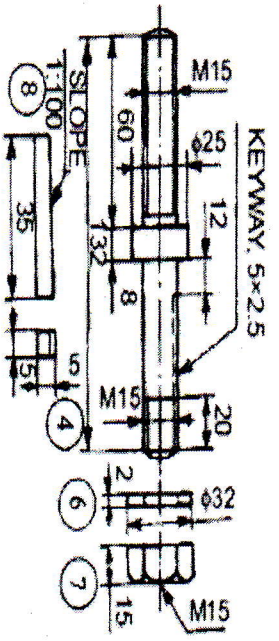
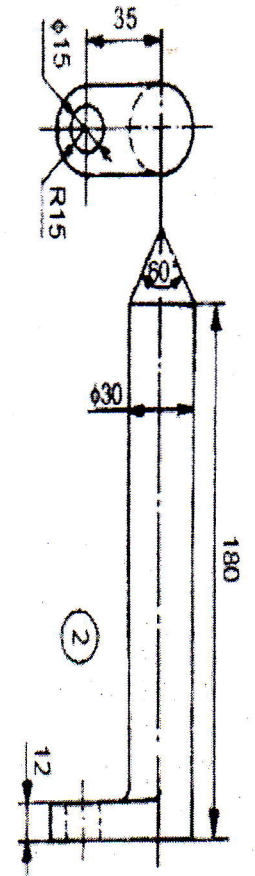
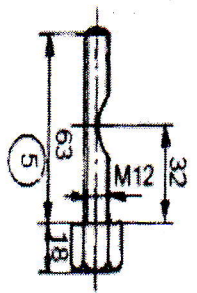
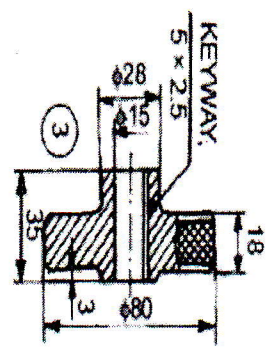
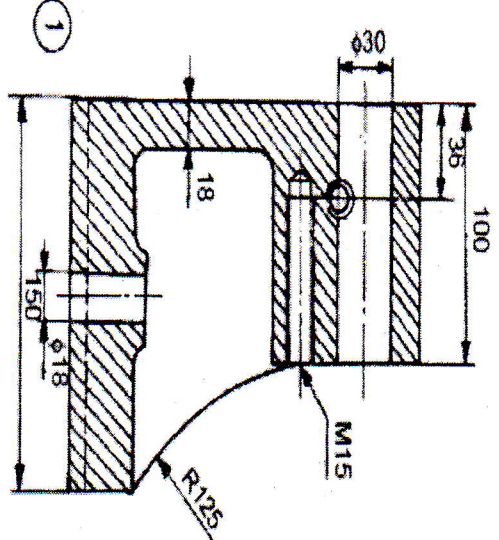
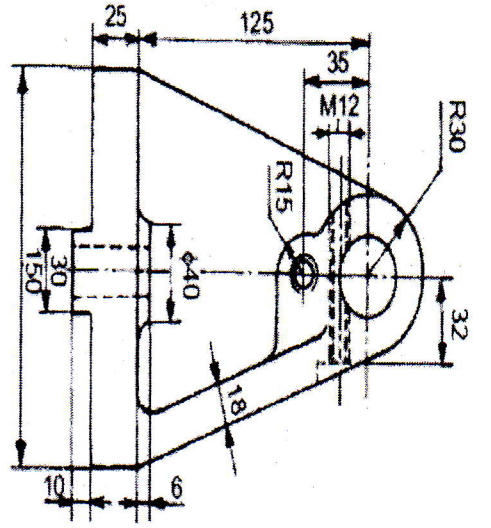


Fig.(2)(25 Mark)



See The Following Page.



Parts list

Sl. No.	Name	Matl.	Qty.
1	Body	CI	1
2	Centre	Case hardened alloy steel	1
3	Hand wheel	Cast steel	1
4	Screw	MS	1
5	Screw	MS	1
6	Washer	MS	1
7	Nut	MS	1
8	Key	MS	1

Fig.(3) (100 Mark).