

3

مستدبرم
0.19
الفقرة الثانية



Menoufia University
Faculty of Electronic Engineering.
Department of Electronics and Electrical Communications
Mid- term examination



Second Year
Time: 30 minutes

Subject: Electronic Circuits
Date: 03 - 04 - 2019

الرقم:

الفصل:

الاسم:

Part1

Answer the following questions

Q1(10 Marks)

1-a- What is meant by class A amplifier? .

Show that its maximum efficiency is 25%.

(4 Marks)

1- b-For the circuit shown in Fig.1

i- Draw the DC Equivalent circuit and determine the operating point (I_{CQ}, V_{CEQ}).

ii- Determine the collector current and the collector to emitter voltage for the circuit at the points of saturation and cutoff with an ac input ($I_{C\text{sat}}, V_{ce\text{ cutoff}}$). Assume $X_{c1}=X_{c2}=X_{c3}=0$ and $\beta_{ac}=200$.

iii- Draw the DC and AC load lines.

(6 Marks)

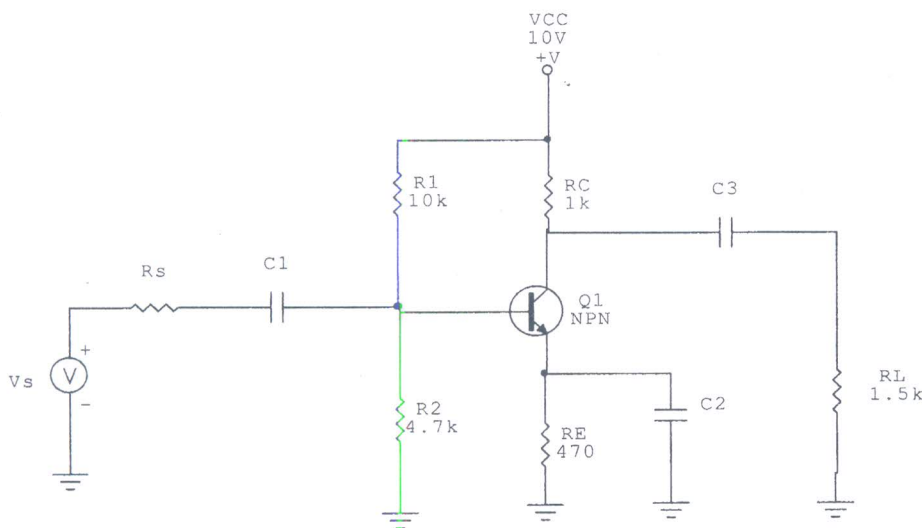


Fig.1