

This Exam measures LOS No.:(a1 -1,a3-1,a13-2,a19-1,b3-1, b5-1, c1-1,c3-1,c113-1).

1-Draw with suitable scale the Views of the following meshing Gears shown in Fig.(1) And The two views [Sectional Front View + Top View] of the Cotter foundation bolt, Fig.(2) ,(Suppose any missing dimensions).
 2-Assemble all parts of Milling Machine Tail – stock, shown in Fig. (3); and draw the following views: (i) Sectional view from the front, (ii) View from above, and (iii)View from the right.(See also Page 2).

(SUPPOSE ANY MISSING DIMENSIONS)

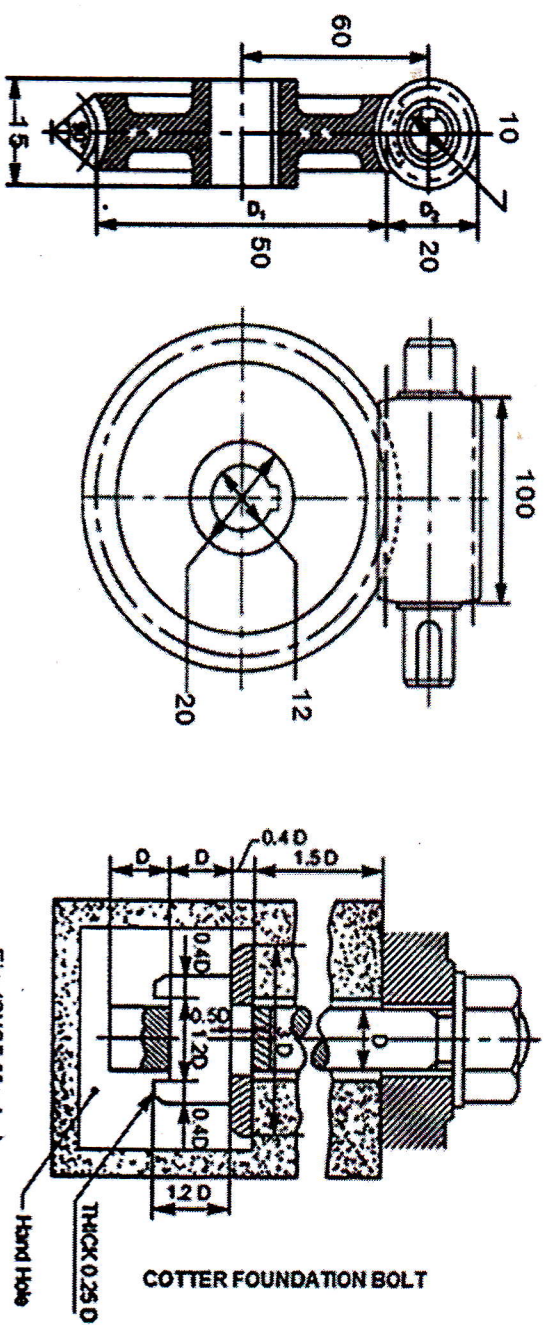


Fig.(1) (25 Mark)

Fig.(2)(25 Mark)

Fig. (3) At the following Page:

