



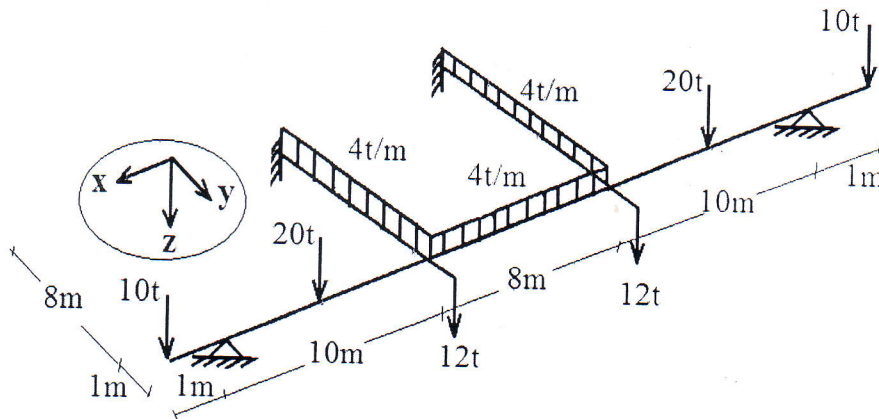
Allowed Tables and Charts: (None or e.g. Steam Tables)

Answer all the following Questions [100 Marks]

Question (1)

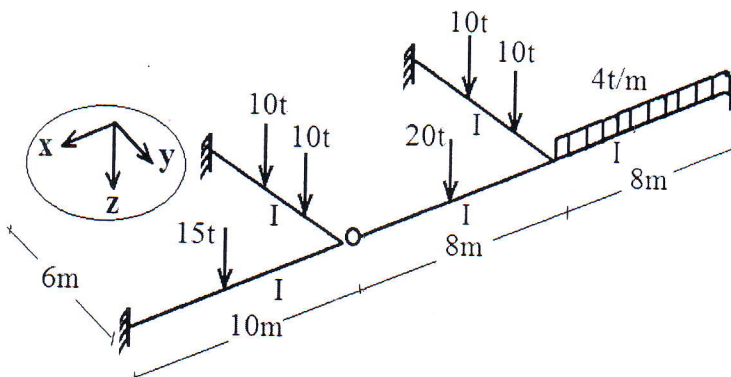
Marks

For the shown structure (Constant I and $GJ = EI$), draw shear force, bending moment and torsion moment diagram. [30]



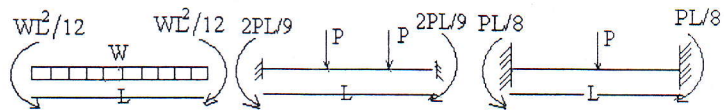
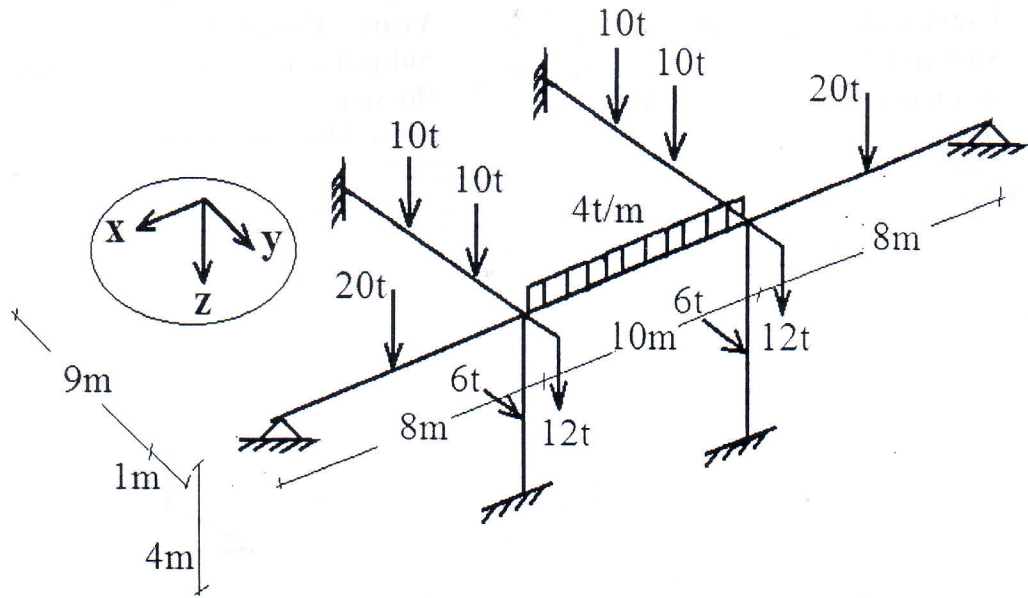
Question (2)

For the shown structure ($EI = GJ$), conclude the overall stiffness matrix. [35]



Question (3)

For the shown structure, draw shear force, bending moment and torsion moment diagram (Constant I and $GJ = EI$). [35]



With my best wishes